



# ARCHON

[www.ARCHONind.com](http://www.ARCHONind.com)



Accessories: Spray Nozzles  
Hose Reels  
Hose Assemblies  
Hose Fittings

**Washdown Equipment  
for the  
Processing Industry**

Incorporated in 1993 and headquartered in Suffern, NY, Archon Industries, Inc. has fast become a global leader in its field. Specializing in the manufacturing and distribution of quality equipment to the processing industry, Archon has earned a reputation for supplying high quality products and engineered solutions, while maintaining quick and professional service standards to all their valued customers. Archon offers a wide variety of mechanical equipment, and is a leading supplier of products for the process industry associated with pharmaceutical, chemical, petrochemical, biotechnology, food processing, beverage, power, dairy and pulp & paper.

Our washdown equipment, manufactured and assembled in Suffern, NY is an integral part of Archon Industries. The Archon Steam and Water Mixing Unit, model WD2010, is one of our signature products. While maintaining its simplistic design and ease of use, it offers its users uncompromised reliability and safety. With few moving parts and a wide range of operating capabilities, this unit has proven to be unrivaled as the leader in the industry. Capable of handling 200 psig of steam, no other unit in the market even comes close.

In our extensive catalog, you will find all the resources available to you for washdown cleaning, including; Steam Mixing Units, Hot & Cold Water Mixing Units, Thermostatically Controlled Mixing Units, Hoses, Reels, Spray Guns and much more.

If you have any questions, or require assistance with a unique application, our engineering staff is always available to help with design and product selection. We look forward to becoming an integral part of your processing facility.

## Washdown Equipment for the Processing Industry

### TABLE OF CONTENTS

Models WD2010 Steam Mixing Unit	Page 2
WD2010 Features and Benefits	Page 3
WD2010 Performance Ratings	Page 4
Thermostatically Controlled Hot & Cold Water Unit Model HCMX-TC	Page 5
Model HCMX-TC Flow Capacity and Parts List	Page 6
Model HCMX Hot and Cold Water Mixing Unit	Page 7
Model WDB-92	Page 8
Mounting Options	Page 9
Mounting Plate and Hose Rack	Page 10
Stainless Steel Hose Reels	Page 11
Carbon Steel Hose Reels	Page 12
Standard Archon Hoses	Page 13
Archon 3/4" Hoses	Page 14
Swivel Adapters	Page 15
Ball Swivel Adapters	Page 16
Brass Heavy Duty Spray Gun	Page 17
Stainless Steel Spray Gun	Page 18
Lance Water Gun	Page 19
Stainless Steel Lance Water Gun	Page 20
Lightweight Water Gun	Page 21
Spray Gun and Adapters	Page 22
Sterilizable Spray Gun	Page 23
Spray Heads	Page 24
Hose Protection Spring	Page 25
Terms and Conditions	Page 26



## Models WD2010, WD2010L, WD2010H

Archon Washdown Stations are simple and easy to use and engineered for maximum SAFETY.

Steam and cold water are carefully and thoroughly mixed to provide "instant" hot water on demand. Using the proportional flow water and steam control valves, the operator can adjust the washdown station to deliver the desired hot water temperature as indicated on the dial thermometer located in the mixed water discharge. By depressing the ergonomically designed fail-safe trigger of the hand-held spray nozzle or the optional spray lance, the operator can direct a steady flow of hot water from a fine spray to a solid jet.

Archon Washdown Stations are widely used in dairy, pharmaceutical, food processing, chemical and industrial plants. Wherever efficient, economical and low maintenance means of hot-water clean-up is needed, Archon Washdown Stations are used.



sales@ARCHONind.com

**Archon Washdown Stations have been engineered for maximum reliability and operator safety:**

### **SAFETY FIRST!**

When handling live steam, SAFETY COMES FIRST! To reduce the potential for steam discharge, all Archon Steam/Water Washdown Stations employ a unique valve and diaphragm technology. Steam is automatically blocked from discharging from the mixing station using a specially engineered diaphragm device. The diaphragm uses the steam supply pressure to positively close the steam inlet valve to the mixing chamber. The mixing station does not rely on potentially unreliable components such as temperature sensors or electrical devices to keep the steam valve closed. The diaphragm device will permit the steam inlet valve to open only after sufficient cold water flow is established by squeezing the spray nozzle or lance. If at any time the cold water is restricted, the steam is automatically shut off. NO WATER - NO STEAM!

### **MINIMAL MAINTENANCE REQUIRED!**

Carbonate build-up at the steam inlet valve, a problem plaguing competitive units, is minimized. A check valve is optimally positioned within the mixing station between the steam inlet valve and the cold water chamber housing the specially designed steam-water venturi mixer. The steam valve seat is isolated from the cold water supply, preventing deposit of carbonates at the steam valve thus reducing the potential for steam inlet valve seizure. No special tool kits are required for the Archon Washdown Station to operate at maximum efficiency and safety.

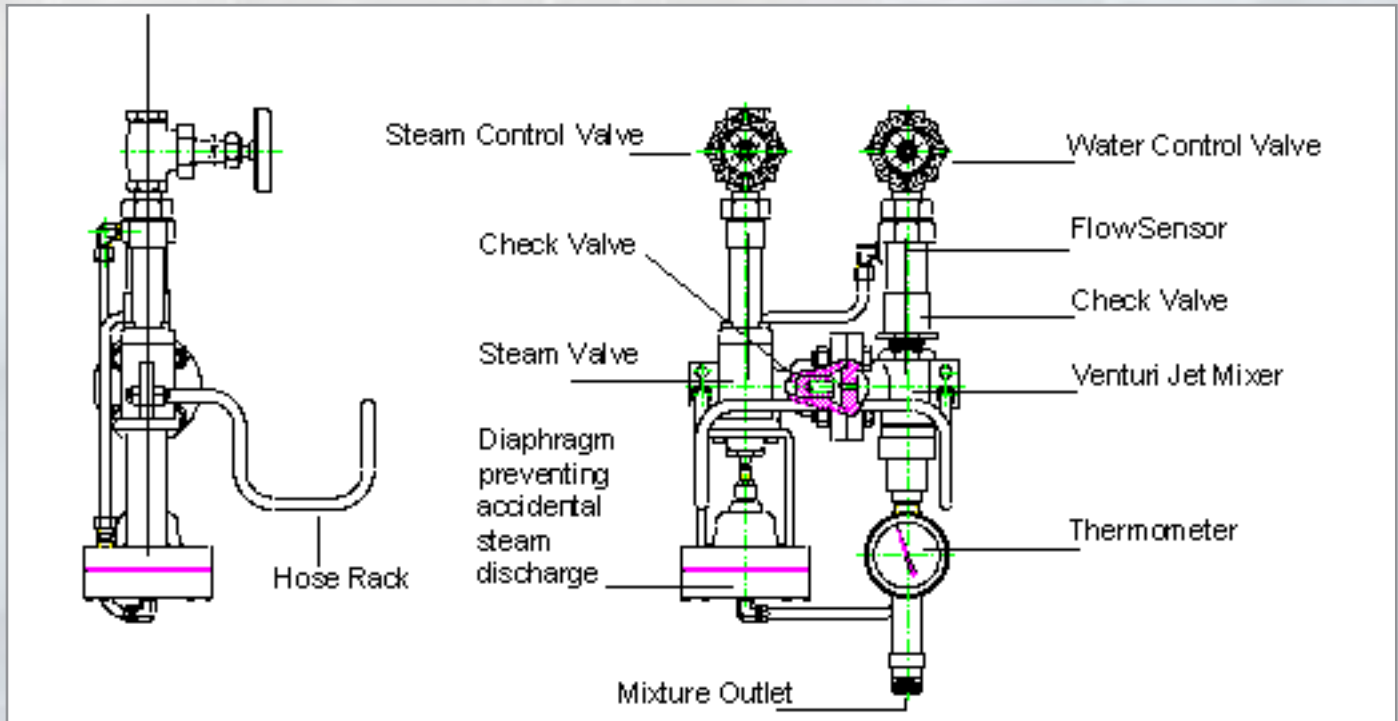
## Models WD2010, WD2010L, WD2010H



### FEATURES AND BENEFITS:

- No carbonate build-up at steam inlet valve
- No special tool kits needed
- Manually operated flow proportioning control valves
- Internal steam and water check valves to prevent backflow
- Integral steam-water venturi mixer for consistent mixing
- Discharge liquid temperature indicating dial gauge
- Simple wall mounting design and "mount-compatibility" for easy installation
- Discharge hose with swivel connections on each end
- Fail-safe trigger-actuated spray gun or shut-off lance
- Stainless steel hose rack for convenient hose storage

sales@ARCHONind.com





## Models WD2010, WD2010L, WD2010H

### Available in 3 models:

- Model **WD2010**
- Model **WD2010L**
- Model **WD2010H**

Standard model for steam supply pressures from 35 psig to 150 psig.  
 Low pressure model for steam supply pressure as low as 10 psig  
 High pressure model for steam supply pressures from 60 psig to 200 psig.

### Available materials:

- Standard Bronze
- Optional 316 SS

### Optional Accessories:

- 25-100' long 5/8" or 3/4" diameter hose
- Spray Nozzle
- Spray Lance
- Hose Reel

### Mounting Configurations:

- Standard Wall Mounted
- Optional Floor Pedestal
- Optional Recessed Wall Mixing Unit Enclosure
- Optional Recessed Wall Full Unit Enclosure



sales@ARCHONind.com

### Washdown Station Performance Ratings

Model	Water Supply Pressure Range	Steam Supply Pressure Range	Maximum Recommended Discharge Temp	Discharge Flow
<b>WD2010L</b>	30 to 80 psig	10 to 60 psig	190°F	3 to 4.5 gpm
<b>WD2010</b>	30 to 80 psig	35 to 150 psig	190°F	3 to 8.5 gpm
<b>WD2010H</b>	30 to 80 psig	60 to 200 psig	190°F	3 to 9.0 gpm

## Thermostatically Controlled Mixing Station Model: HCMX-TC



sales@ARCHONind.com

The **Model HCMX-BR-TC** is a thermostatically controlled mixing valve assembly that delivers constant temperature water. It automatically compensates for fluctuations in either incoming hot and cold water temperature and/or pressure.

A liquid filled thermostat and a stainless steel control valve guard against unexpected hot or cold water spikes and proportion the water flow to maintain a constant outlet temperature +/- 3°F over the range of 80 to 160°F for up to 10 gallons per minute at a differential pressure of 40 psi, with a maximum hot water supply of 180°F.

Mixed water temperature is adjusted by turning a set-screw and is indicated on a dial thermometer. The housing is bronze and wetted parts are bronze, stainless steel, PTFE and buna rubber. The assembly includes an inlet shut-off valve and a check valve with 3/4" NPT union connection on both the hot and cold water legs.

The **HCMX-BR-TC** is available with the following optional components: SS wall mounting plate, SS hose rack, hand held spray nozzle, automatic shut-off spray lance, and a variety of hot water rated hoses.

### Features:

- Accurate control of temperature from 80°F/27°C to 160 °F/71°C
- Maintains temperature to + / - 3°F
- Maximum water temperature of 160°F/71°C
- Adjustable temperature limit stop for safety
- Self adjusts for temperature or pressure variations
- Maximum working pressure to 125 psi
- Color coded temperature dial
- Bronze body with replaceable corrosion-resistant components.
- The piston and liner are stainless steel
- Bronze and Stainless Steel Construction
- 3/4" High Flow Unit 10-12 gpm standard
- One Year Warranty

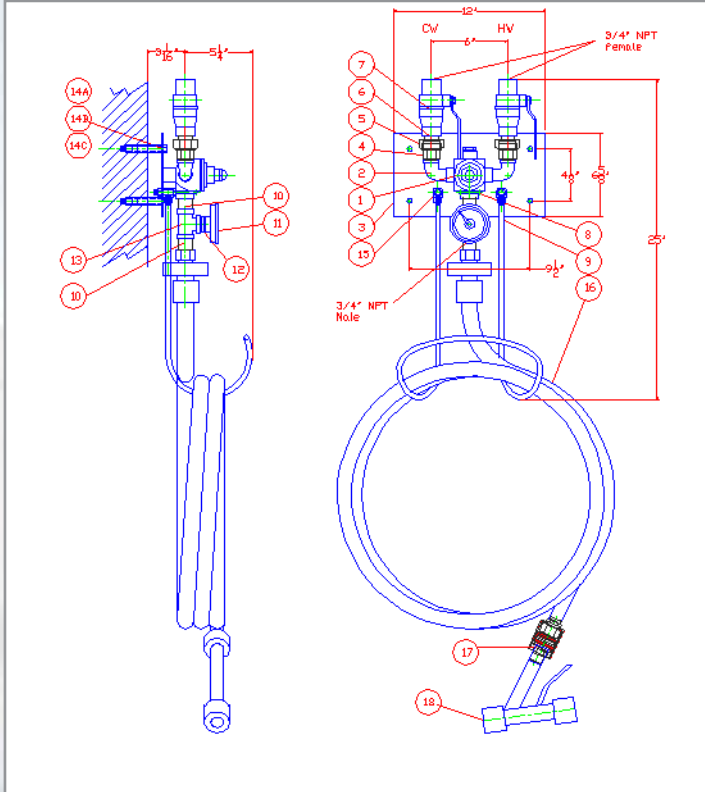
### Thermostat:

Automatically responds to temperature and pressure variations in hot and cold water lines.

The stainless steel piston and liner precisely proportion water flow to maintain a constant outlet temperature and to guard against unexpected hot or cold water spikes.



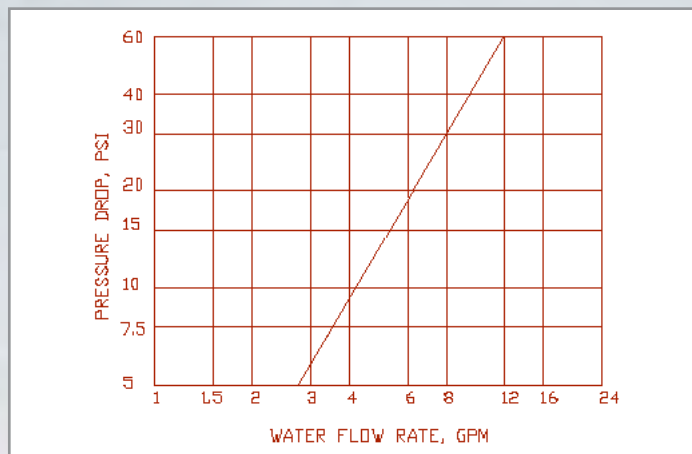
# Thermostatically Controlled Mixing Station Model: HCMX-TC



ITEM	QTY	DESCRIPTION
1	1	MIXING VALVE
2	2	ELBOW
3	1	MOUNTING PLATE
4	2	ADAPTER
5	2	UNION NUT
6	2	UNION MALE
7	2	BALL VALVE/CHECK VALVE 3/4" NPT
8	1	U-BOLT/NUTS
9	1	HOSE RACK
10	2	NIPPLE
11	1	TEMP INDICATOR
12	1	BUSHING
13	1	TEE
14A	4	BOLT, 3/8"
14B	4	SPACER
14C	4	WALL ANCHOR
15	2	BOLT SET
16	1	HOSE ASSEMBLY
17	1	QUICK CONNECT SWIVEL COUPLING ASSY.
18	1	SPRAY NOZZLE

sales@ARCHONind.com

**Flow Capacities Single Stage (No Hose)**



## ARCHON Hot / Cold Water Mixing Stations Model: HCMX



sales@ARCHONind.com

**Archon Mixing Stations** have been engineered for maximum reliability and operator safety. Using the proportional flow water control valves, the operator can adjust the mixing station to deliver the desired hot water temperature as indicated on the dial thermometer located in the mixed water discharge. By depressing the ergonomically designed fail-safe trigger of the hand-held spray nozzle or the optional spray lance, the operator can direct a steady flow of hot water from a fine spray to a solid jet. Archon Mixing Stations are widely used in dairy, pharmaceutical, food processing, chemical and industrial plants.

#### Features and Benefits:

- Easily maintained
- No special tool kits needed
- Manually operated flow proportioning control valves
- Check valves provided on both the hot and cold water connections to prevent back-flow
- Discharge liquid temperature indicating dial gauge
- Simple wall mounting design and “mount-compatibility” for easy installation
- Stainless steel hose rack for convenient hose storage

#### Optional:

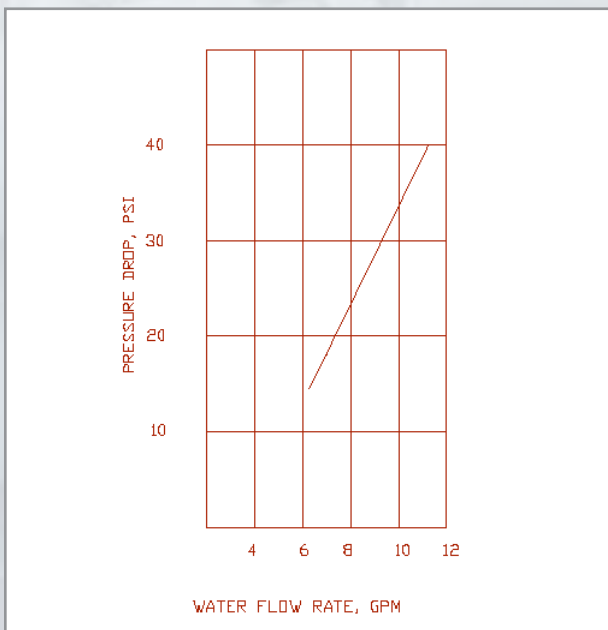
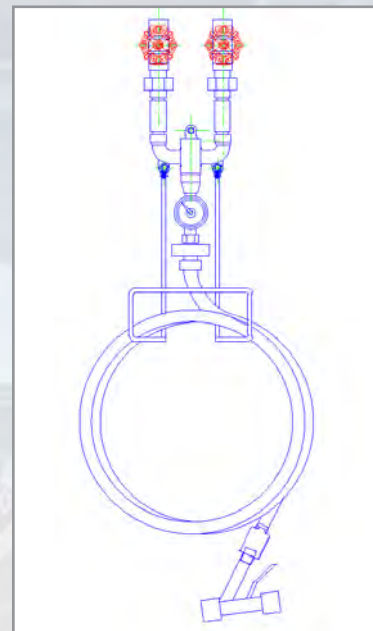
- Discharge hose with swivel connections
- Fail-safe trigger-actuated spray gun or shut-off lance

#### Complete Assembly including:

- Mixing unit
- Check valves
- Globe valves
- Hose rack
- Hose (optional)
- Spray gun (optional)

#### Available Materials:

- 316SS (HCMX-SS)
- Bronze (HCMX-BR)





## ARCHON Model WDB-92



The ARCHON model WDB-92 is a simple, economical unit made of Stainless Steel and ideal for Hot or Cold water service.

The unit includes a Ball Valve, Hose Rack and Mounting Bracket.

### Features:

- 3/4" Full Port 316 SS Ball Valves
- Stainless Steel Hose Rack
- Stainless Steel Mounting Bracket
- Maximum working pressure to 150 psig
- Maximum working temperature to 200°F

## ARCHON Model WDG-94

The ARCHON Model WDG-94 is a single Globe Valve unit for Hot or Cold Water hose stations.

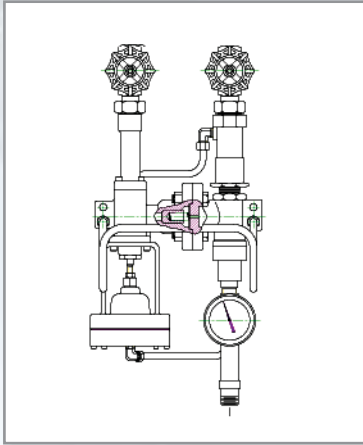
The unit includes a Stainless Steel Globe Valve, Stainless Steel Hose Rack and Stainless Steel Mounting Bracket.

### Features:

- 3/4" Stainless Steel Globe Valve
- Stainless Steel Hose Rack
- Stainless Steel Mounting bracket

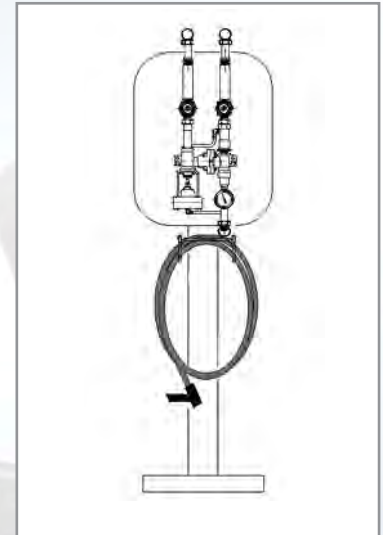


## Mounting Options



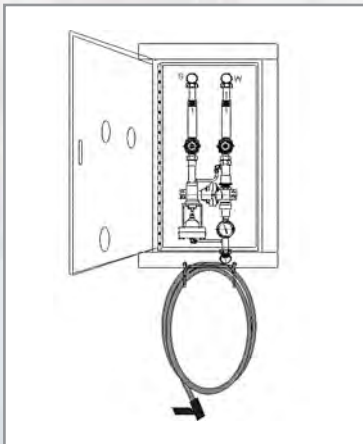
### Standard Wall Mounting

Lag bolts and anchors provided by customer for securing to an existing vertical surface.



### Optional Pedestal Mounting

Floor mounted unit; Stainless steel cover, box and tube; Ideal where floor piping is accessible. All water and steam piping is concealed.

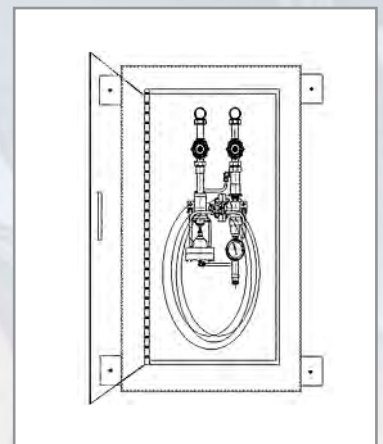


### Optional Recessed Wall Mixing Unit Enclosure

Mixing unit is mounted within a stainless steel enclosure with removable cover panel. Valve bonnets, dial thermometer and the outlet project outside the enclosure. The hose and rack are mounted outside the enclosure. All water and steam piping is concealed.

### Optional Recessed Wall Full Unit Enclosure

Mixing unit and discharge hose are mounted within a stainless steel enclosure with hinged door. Water and steam piping, valves, and dial thermometer are concealed.





## Mounting Plate and Hose Rack



**Stainless Steel Hose Rack**  
Model: HR-07

A standard feature on all of our Hot & Cold Water Mixing Units, the stainless steel hose rack is also sold separately for individual hose mounting needs.



**Stainless Steel Mounting Plate with Hose Rack**  
Model: HRMP-08

Stainless steel mounting plate and hose rack are standard supplied equipment with all Archon wall mounted Hot & Cold Water Mixing units.

Suitable for models:

- HCMX
- HCMX-TC



**Stainless Steel Hose Rack**  
Model: HR-08

The ARCHON Stainless Steel Hose Rack and Mounting Plate model HR-08 allows for independent wall mounting where washdown assemblies are not required. Can hold 25, 50, 75 and 100 feet of ARCHON style hose.



**Mounting Plate - Stainless Steel**  
Model: MP-07

Our Hot and Cold Water Mixing units wall mounted come with Stainless Steel Mounting Plates.

This item can also be sold separately as required.

## STAINLESS STEEL HOSE REELS - SPRING REWIND AND MANUAL REWIND

### Stainless Steel Hose Reel Model: RL-N800-SS

- Spring rewind reel with narrow frame and compact mounting base
- Non sparking ratchet assembly
- Declutching arbor to prevent damage from reverse winding
- Standard inlet 90° ball bearing swivel joint 1" female NPT threads
- Standard outlet 1" female NPT threads
- Pressures to 1000 psi (69 bar)
- Temperatures from +20°F to +400°F (-7°C to +204°C)
- Consult factory for other pressures and temperatures
- 4-way roller assembly
- Constant tension is available - consult factory



### Stainless Steel Hose Reel Model: RL-800-SS

- Square tubing frame for heavy-duty applications
- Non sparking ratchet assembly
- Declutching arbor to prevent damage from reverse winding
- Standard inlet 90° ball bearing swivel joint 1" female NPT threads
- Standard outlet 1" female NPT threads
- Pressures to 1000 psi (69 bar)
- Temperatures from +20°F to +400°F (-7°C to +204°C)
- Consult factory for other pressures and temperatures.
- 4-way roller assembly
- Constant tension is available - consult factory



### Stainless Steel Hose Reel Model: MRL 1800-SS

- Economical manual rewind reel for long lengths of hose
- Choose disc rewind or removable direct crank rewind
- Supplied with spring-actuated pin lock.
- Standard inlet 90° ball bearing swivel joint 1" female NPT threads
- Standard outlet 1" female NPT threads
- Pressures to 1000 psi (69 bar)
- Temperatures from +20°F to +400°F (-7°C to +204°C)
- Consult factory for other pressures and temperatures
- 4-way roller assembly
- Constant tension is available - consult factory





## CARBON STEEL HOSE REELS - SPRING REWIND AND MANUAL REWIND

### Carbon Steel Hose Reel Model: RL-N800-CS

- Carbon Steel Spring rewind reel with narrow frame and compact mounting base
- Non sparking ratchet assembly
- Declutching arbor to prevent damage from reverse winding
- Standard inlet 90° balanced pressure swivel joint 1" female NPT threads
- Standard outlet 1" female NPT threads
- Pressures to 1000 psi (69 bar)
- Temperatures from -40°F to +250°F (-40°C to +121°C)
- Consult factory for other pressures and temperatures
- 4-way roller assembly
- Constant tension is available - consult factory



### Carbon Steel Hose Reel Model: RL-800-CS

- Rollformed channel frame for heavy-duty applications
- Non sparking ratchet assembly
- Declutching arbor to prevent damage from reverse winding
- Standard inlet 90° balanced pressure swivel joint 1" female NPT threads
- Standard outlet 1" female NPT threads
- Pressures to 1000 psi (69 bar).
- Temperatures from -40°F to +250°F (-40°C to +121°C)
- Consult factory for other pressures and temperatures
- 4-way roller assembly
- Constant tension is available - consult factory



### Carbon Steel Hose Reel Model: MRL 1800-CS

- Manual Rewind Reel for long lengths of hose
- Choose disc rewind or removable direct crank rewind
- Supplied with spring-actuated pin lock
- Standard inlet 90° balanced pressure swivel joint 1" female NPT threads
- Standard outlet 1" female NPT threads
- Pressures to 1000 psi (69 bar)
- Temperatures from -60°F to +250°F (-51°C to +121°C)
- Consult factory for other pressures and temperatures
- Optional bronze or aluminum swivel joint and stainless steel hub assembly and riser are available



## Standard ARCHON 5/8" HOSES

Model Number	Length	Hose Color	
GW-45783-025	25 ft.	White	* Hose ID 5/8" * -20°F to +200°F * 300 psi working pressure * FDA Nitrile tube material
GW-45783-050	50 ft.	White	
GW-45783-075	75 ft.	White	
GW-45783-100	100 ft.	White	
GB-45785-025	25 ft.	Black	
GB-45785-050	50 ft.	Black	
GB-45785-075	75 ft.	Black	
GB-45785-100	100 ft.	Black	

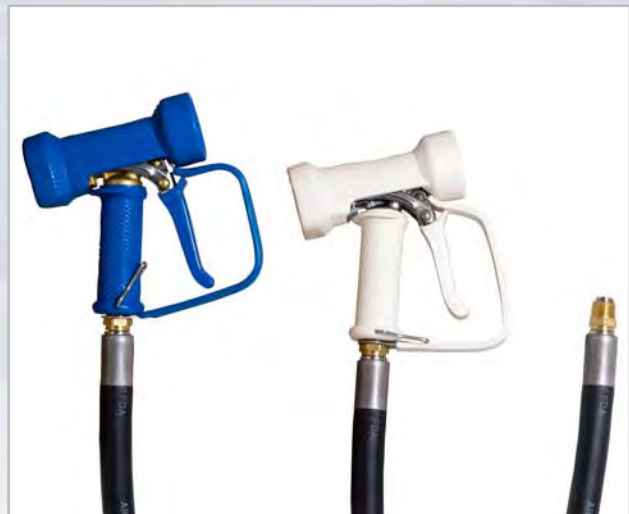
### Washdown Hose Assembly "G"

This high pressure 5/8" inside diameter hot water hose is appropriate for Archon Industries mixing unit series **WD2010 Steam & Water Mixers** and **HCMX Hot & Cold Water Mixers**. It is suitable for a maximum temperature of 200 °F and a maximum pressure of 200 psi, and ***is not intended for use in steam service***. The hose is constructed with a black and white smooth cover, with braided yarn reinforcement and has an FDA Nitrile tube.

Our series "G" hose is available in White or Black and in 25, 50, 75 and 100 foot lengths.

Swivel connection on the unit end is 3/4" NPT male and on the nozzle end is 1/2" NPT male.

Stainless steel end connections are also available. Add -SS to the model number.





## ARCHON 3/4" HOSES

The following 3/4" hoses are used with Archon Steam Mixing Units and Hot & Cold Mixing units.

Our standard lengths are shown below, however if special lengths are required, please contact Archon directly.

Use the descriptions below to choose the hose that is best suited to your working conditions.

### Washdown Hose Assembly "S".

This high pressure 3/4" inside diameter hot water hose is appropriate for Archon Industries mixing unit WD2010 series Steam & Water mixers, and the HCMX series Hot & Cold water mixers. It is suitable for a maximum temperature of 450°F and a maximum pressure of 250 psig. This hose is also suitable for steam service when fitted with the proper couplings. Steam service use must be specified at the time of ordering. The hose is constructed of a black EPDM tube with braided, high tensile steel wire reinforcement. Available in Red (SR), the standard lengths for this hose are 25ft, 50ft, 75ft and 100ft long.



### Washdown Hose Assembly "CW".

This high pressure 3/4" inside diameter hot water hose is appropriate for Archon Industries mixing unit WD2010 series Steam & Water mixers, and the HCMX series Hot & Cold water mixers. It is suitable for a maximum temperature of 212°F and a maximum pressure of 200 psig. This hose is not intended for steam service use. The hose is constructed of a black EPDM tube with synthetic, high-tensile textile cord reinforcement. Available in White EPDM cover, the standard lengths for this hose are 25ft, 50ft, 75ft and 100ft long.



Model Number	Hose I.D.	Hose Color	Temperature Rating	Working Pressure	Tube Material
SR-45777	3/4"	Red	-40 °F to + 450 °F	250 psi	Black EPDM
CW-45779	3/4"	White	-40 °F to + 212 °F	200 psi	Black EPDM
YH-45780	3/4"	Yellow	-20 °F to + 200 °F	300 psi	Black Nitrile

## ARCHON SWIVEL ADAPTERS

ARCHON swivel adapters are economical and quality made. The hose barb length is sufficient for both clamp or band attachment or mechanical crimping.

The swivels are available for hose/nozzle connections and also for hose/unit connections.

Optional combinations are available upon request.

Model	DESCRIPTION	MATERIAL
SW.625BS	1/2" MNPT Swivel nozzle end x 5/8" ID Hose Barb	Brass / Stainless
SW.750BS	1/2" MNPT Swivel nozzle end x 3/4" ID Hose Barb	Brass / Stainless
SW.625SS	1/2" MNPT Swivel nozzle end x 5/8" ID Hose Barb	Stainless / Stainless
SW.750SS	1/2" MNPT Swivel nozzle end x 3/4" ID Hose Barb	Stainless / Stainless
SW.UE.625BS	3/4" MNPT Unit End x 5/8" ID Hose Barb	Brass / Stainless
SW.UE.750BS	3/4" MNPT Unit End x 3/4" ID Hose Barb	Brass / Stainless
SW.UE.625SS	3/4" MNPT Unit End x 5/8" ID Hose Barb	Stainless / Stainless
SW.UE.750SS	3/4" MNPT Unit End x 3/4" ID Hose Barb	Stainless / Stainless

sales@ARCHONind.com





## Ball ( 360 Degree) Swivel Adapters

ARCHON model SWS Swivel Adapters allow full vertical, horizontal and circular spray gun movement.

Available on all ARCHON hose and spray gun configurations.

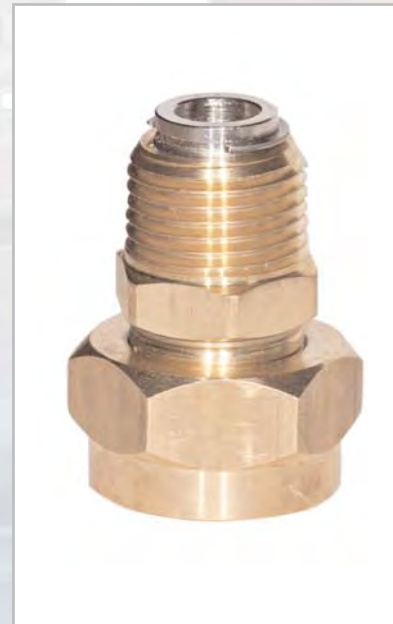
The 360 degree ball swivel prevents hose kinking and is operator friendly. The operator will experience resistance free mobility eliminating any stress concerns.

The ARCHON Ball Swivel Adapters are only available in Stainless Steel.

- Maximum working Pressure to 150 psig
- Maximum working temperature to 200°F



**SWB.625SS**  
**SWB.750SS**



**SWGH75**

Model	DESCRIPTION	MATERIAL
SWB.625SS	1/2" MNPT Swivel nozzle end x 5/8" ID Hose Barb	Stainless / Stainless
SWB.750SS	1/2" MNPT Swivel nozzle end x 3/4" ID Hose Barb	Stainless / Stainless
SWGH75	Swivel Adapter Garden Hose 3/4" GHT X 1/2" NPT	Brass / Stainless

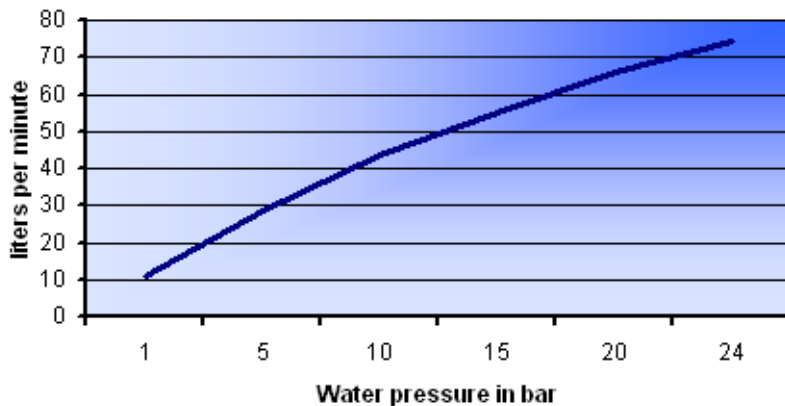
## Brass Heavy Duty Spray Guns With Trigger Guard



**Not for steam**

**AKMNP01-B (BLUE COVER)**  
**AKCNP01-W (CHROME PLATED, WHITE COVER)**

**Water flow**



waterflow in l/min with totally pulled trigger



sales@ARCHONind.com

- Strong brass housing
- Cover and sealings of EPDM rubber
- Trigger handle and pusher in Stainless Steel.
- 1/2" female connection
- Max. Temp. 95 °C (200 °F)
- Max pressure 24 bar (350 psi)
- Weight about 1.9 lbs
- Controllable beam pattern from broad spray to strong jet
- Clear red arrow showing the spray pattern

**Also available:**

- Spray guns in chrome plated brass and in full Stainless Steel
- Special spray guns for hot water in RED and high flow in Black
- Special spray guns for (foam) lance mounting

\*\* Although all materials used can withstand temperatures over 100 °C, it is strongly recommended to take special precautions when using hot water.

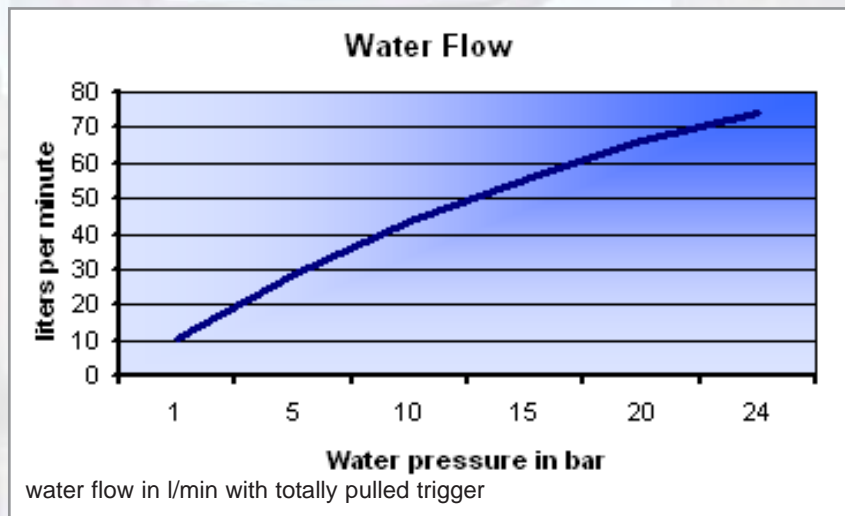


## Stainless Steel Heavy Duty Spray Guns

With trigger guard



AKRNP01-B (BLUE COVER)  
AKRNP01-W (WHITE COVER)



### Technical data:

- Rugged Stainless Steel (316) housing
- EPDM Cover and Viton® Seals
- Trigger handle and pusher in Stainless Steel
- 1/2" female connection
- Max. temp 95 °C (200 °F)
- Max pressure 24 bar (350 psi)
- Weight about 2.1 lbs
- Water beam controllable from broad spray to strong jet
- Clear red arrow showing the spray pattern

### Not for steam

### Also available:

- Spray guns in brass and in chrome plated brass
- Special spray guns for hot water in RED and high flow in BLACK
- Special spray guns for (foam) lance mounting

\*\* Although all materials used can withstand temperatures over 100 °C, it is strongly recommended to take special precautions when using hot water.



## The Hot Water Lance Water Gun

Heavy duty, 316SS with TEFLON®/Air isolation with trigger guard and controllable nozzle

### AKRHP02-R-L40

sales@ARCHONind.com



Controllable spray pattern



New shape of trigger isolation



Max. Temp. 95°C (200°F)  
Max. Pressure 24 bar (350 Psi)  
18.5 gpm max.  
No steam



Longer hand grip with collar



Teflon®/Air Isolation



Reinforced safety trigger



Rubber skirt for adapter heat protection

\*\* Although all materials used can withstand temperatures over 100°C, it is strongly recommended to take special precautions when using hot water.



## Hot Water Spray Guns, in Stainless Steel

With rubber handgrip and trigger guard in stainless steel

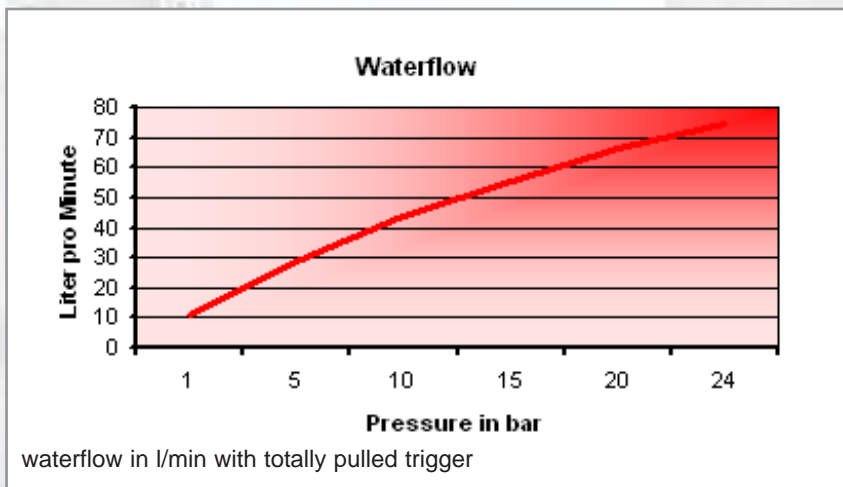


**AKRHP01-R**



**AKRHP02-R-L40**

With a 40cm lance, hand grip and controllable nozzle.



sales@ARCHONind.com

**Technical data:**

- Rugged stainless steel housing
- EPDM Cover and Viton® Seals
- Trigger handle and pusher in Stainless Steel
- 1/2" female connection
- Max. temp.95 °C (200 °F)
- Max pressure 24 bar (350 psi)
- Weight about 2.6 lbs
- Water beam controllable from broad spray to strong jet
- Clear arrow to show the water spray direction

**Not for steam**

**Also available:**

- Spray guns in brass and chrome plated brass
- Special spray guns for (foam) lance mounting



**Teflon®/air Isolation**



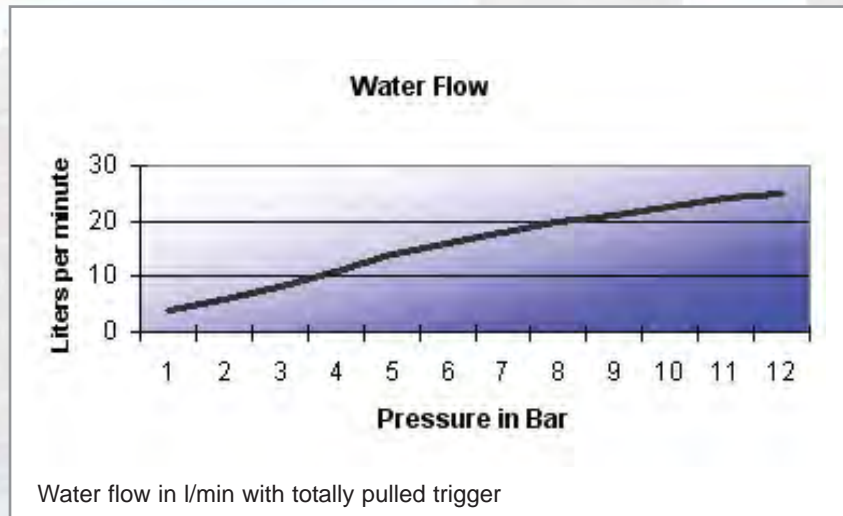
**Arrow for beam direction**

## Light Weight Spray Guns, “Baby” Series

In Aluminium or Brass with adjustable spray



**BABTN01-B (ALUMINIUM)**  
**BMBTN01-B (BRASS)**



**Adjustable spray**

### Technical data:

- Rugged Aluminium or Brass housing
- Covers and sealings of EPDM rubber
- Trigger handle in Stainless Steel
- 1/2" female connection
- Max. temp. 50 °C (122 °F)
- Max pressure 12 bar (170 psi)
- Weight about 0.8 lbs
- Water beam controllable from broad spray to strong jet
- Clear red arrow to show the water spray direction

**Not for steam**

**Also available with quick release adapter for accessory mounting.**

\*\* Although all materials used can withstand temperatures over 100 °C, it is strongly recommended to take special precautions when using hot water.



## Heavy spray gun with adapter output

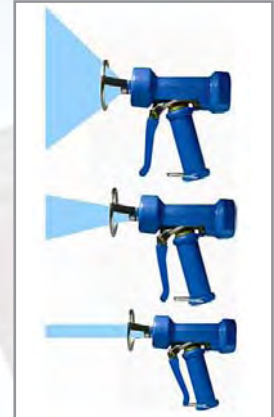
**One Spray gun for:**  
 Foaming without compressed air  
 Rinsing with adjustable water beam  
 Connection to a gel/foam tank  
 Disinfecting, Lance spraying



**Special quick release adapter**



--  
**AKMNAP2-B**  
 Spray gun with chrome plated quick release adapter outlet  
 Inlet 1/2" female.  
 Stainless steel trigger handle  
 Strong rubber cover



**Rinsing**

sales@ARCHONind.com

Just mount the **AKMNAP2-B-B** to:

A PVC foam lance with quick release	Gel or foam tank with quick release.	Stainless steel spray lance with quick release.(30, 60, 90 cm) for disinfecting.
1 . Normal Foam Lance  LAPFC01 Chr. PI coupler LAPFCR1 St. St coupler	 <b>TANK01</b>	 Nozzle protected  LARC030 ( 30 cm ) = 1 foot LARC060 ( 60 cm ) = 2 feet LARC090 ( 90 cm ) = 3 feet
2 . Enlarged Foam Lance (30, 60, 90 cm)  <b>LAPFC30 (60 - 90)</b>		

## Sterilizable Spray Guns, in Stainless Steel (316)

With LATEX cover and VITON® sealings



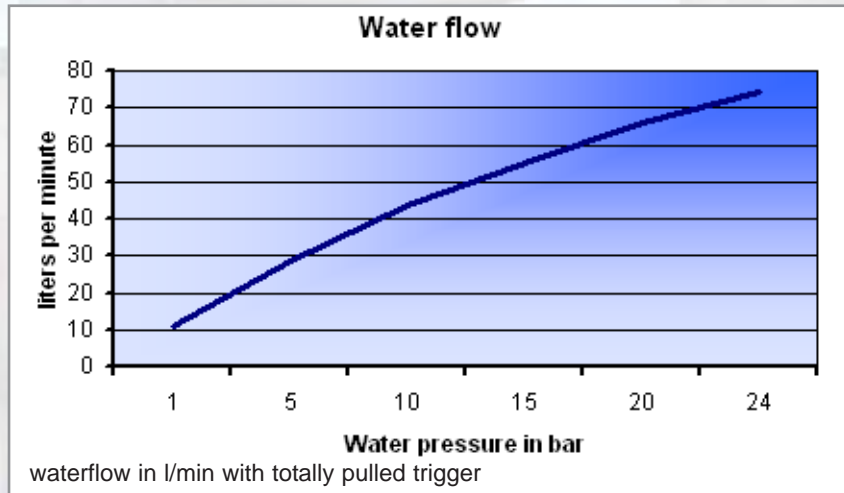
AKRN002-LB-LAT In light blue

For:

- Pharmaceutical industry
- Food industry

Can be sterilized up to 160°C

sales@ARCHONind.com



### Technical data:

- Rugged Stainless Steel housing
- Covers and sealing of Latex and VITON® Rubber
- Trigger handle and pusher in Stainless Steel
- 1/2" female connection
- Max. temp 95°C (200°F)
- Max pressure 24 bar (350 psi)
- Weight about 2.1 lbs
- Water beam controllable from broad spray to strong jet
- Clear red arrow to show the water spray direction

### Not for Steam

### Also available:

- Spray guns in brass and in chrome plated brass
- Special spray guns for hot water in RED and high flow in BLACK
- Special spray guns for (foam) lance mounting.

\*\* Although all materials used can withstand temperatures over 100 °C, it is strongly recommended to take special precautions when using hot water.



Red arrow for beam



## Heavy Duty Spray Heads in Rubber Protected Brass

For cleaning with cold or warm water, with adjustable pattern.

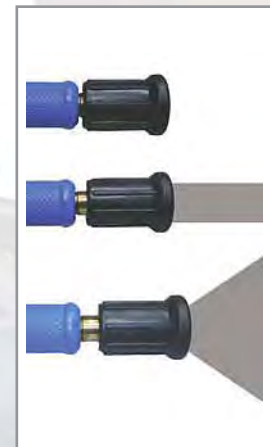
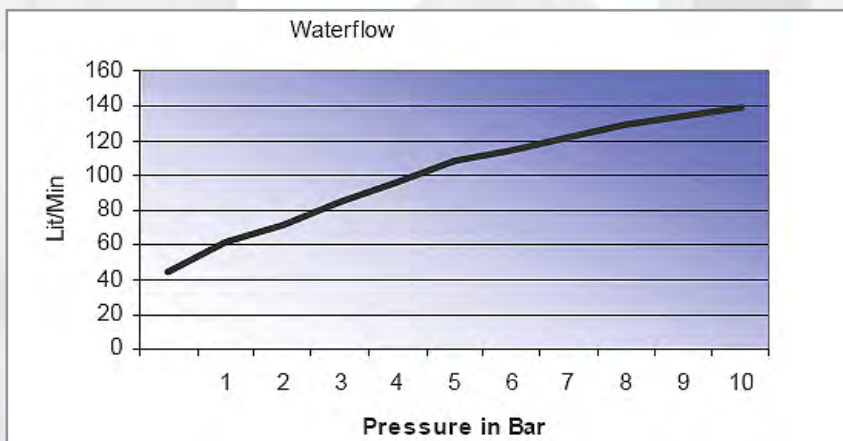
The water pattern is adjustable by turning the rubber head. To save water the nozzles can be totally closed by turning the head.



AKMSH01-B Blue  
AKMSH01-R Red  
AKMSH01-W White

### Typical applications

- Process Industry
- Abattoirs
- Meat and fish industry
- Food processing
- Breweries
- Beverage industry
- Industrial kitchens
- Dairy industry



Adjustable pattern  
Turnable head

### Technical data::

- Max Pressure 232 psi
- Max Temp 176°F
- Inlet ½" female connection
- Adjustable spray pattern.
- Can be closed by means of the spray head
- Covers and sealings of EPDM rubber
- Heavy duty brass housing

### Not for Steam

### Also available:

- Spray guns in brass, chrome plated brass and in stainless steel
- Special spray guns for hot water in RED and large flow in BLACK
- Special spray guns for (foam) lance mounting.

\*\* Although all materials used can withstand temperatures over 100°C, it is strongly recommended to take special precautions when using hot water.

## Hose Protection Spring

On stainless steel hose tale and on stainless steel swivels



Hose with normal hose tail



Hose with tail and spring



Hose tail 16 mm with flexible spring



Swivel 13 mm with flexible springs

**RVST13-C20-SP**      S.S.tail 13 mm with spring  
**RVST16-C21-SP**      S.S.tail 16 mm with spring  
**RVST19-C24-SP**      S.S.tail 19 mm with spring

**SWIFB10**                      Swivel 10 mm without spring  
**SWIFB13-C20**                Swivel 13 mm without spring  
**SWIFB13-C20-SP**         Swivel 13 mm with spring  
**SWIFB16-C21**                Swivel 16 mm without spring  
**SWIFB16-C21-SP**         Swivel 16 mm with spring  
**SWIFB19-C24**                Swivel 19 mm without spring  
**SWIFB19-C24-SP**         Swivel 19 mm with spring



Tail with swiveling hexnut flat or conical sealing

**RVSW013-F-SP**                1/2" female, flat sealing, 13 mm tail and spring  
**RVSW013-C-SP**                1/2" female, conical sealing, 13 mm tail and spring  
**RVSW016-C-SP**                1/2" female, conical sealing, 16 mm tail and spring

**All tails and swivels in Stainless Steel**

Tails and springs in 13mm, 16mm or 19mm. Length of the spring about 20 cm

**All other dimensions or shapes are available on demand**



## WASHDOWN PRODUCTS

### Terms & Conditions Agreement

**GENERAL:** The following terms and conditions shall constitute the entire Agreement by the Seller for the purchase and sale of Archon Industries, Inc. products. Any terms and conditions contained in the Purchaser's purchase order that are different from, in addition to, or vary from Archon Industries, Inc. terms & conditions shall not be binding, and are hereby excluded.

**AGREEMENT:** Orders are subject to acceptance in writing by Archon Industries, Inc hereinafter referred to as the "Seller" at its Suffern, New York office.

**WARRANTY:** The Seller warrants its products against defects in materials and workmanship for one year from date of shipment. The Seller's warranty will be limited to (at Seller's option) refund of the Seller's selling price, or repair or replacement of the product of part proven to be materially defective when used for the purpose for which it was intended. The Seller shall be liable for no other warranties, oral, written, express or implied. The Seller's warranty obligations and remedies hereunder are solely and exclusively as stated herein. In no event shall the Seller be liable either to customers for incidental or consequential damages or for personal injury or property damages resulting from the use of the products sold. The undertaking of repairs or replacement by Purchaser or its agents without the Seller's written consent shall relieve the Seller of all responsibility herewith.

**FORCE MAJEURE:** The Seller shall endeavor to ship products specified in any acceptance order, but the Seller shall not be considered in default of its obligations hereunder if such performance is presented or delayed because of unavailability of materials, equipment, labor or technical personnel, war, labor strikes, riots, hostilities, fires, accidents, shutdowns of its manufacturing plants or plants supplying it, embargos or inability to secure transportation' or because any law, order, proclamation, regulation or ordinance, of any government or because of acts of God or for any other cause beyond the reasonable control of the Seller.

**DELIVERY:** Unless otherwise specified in writing, delivery will be FOB, Suffern.

**PRICES & DESIGNS:** Prices and designs are subject to change without notice.

**LIMITATION OF LIABILITY:** No claims made by the Purchaser whether as to goods delivered or for non-delivery of goods shall be greater than the purchase price of the goods. Under no circumstances shall the Seller be liable for consequential damages.

**TAXES:** All application federal, state or local sales, use or excise taxes are the responsibility of the Purchaser, and are in addition to prices printed or stated. The Seller shall

have the right to invoice separately any such tax as may be imposed at a later date. Applicable tax exemption certificates must accompany any order to which same applies.

**RETURN OF GOODS:** The Seller will not accept return or any product unless a returned goods authorization number has first been obtained from the Seller in which case, credit will be issued after inspection and fulfillment of the following criteria:

1 - All goods must be returned prepaid freight and in original condition, if not, credit will not be issued and goods will be returned to Purchaser at Purchaser's expense.

2 - A stocking and handling charge of 20% will be imposed on all returned goods.

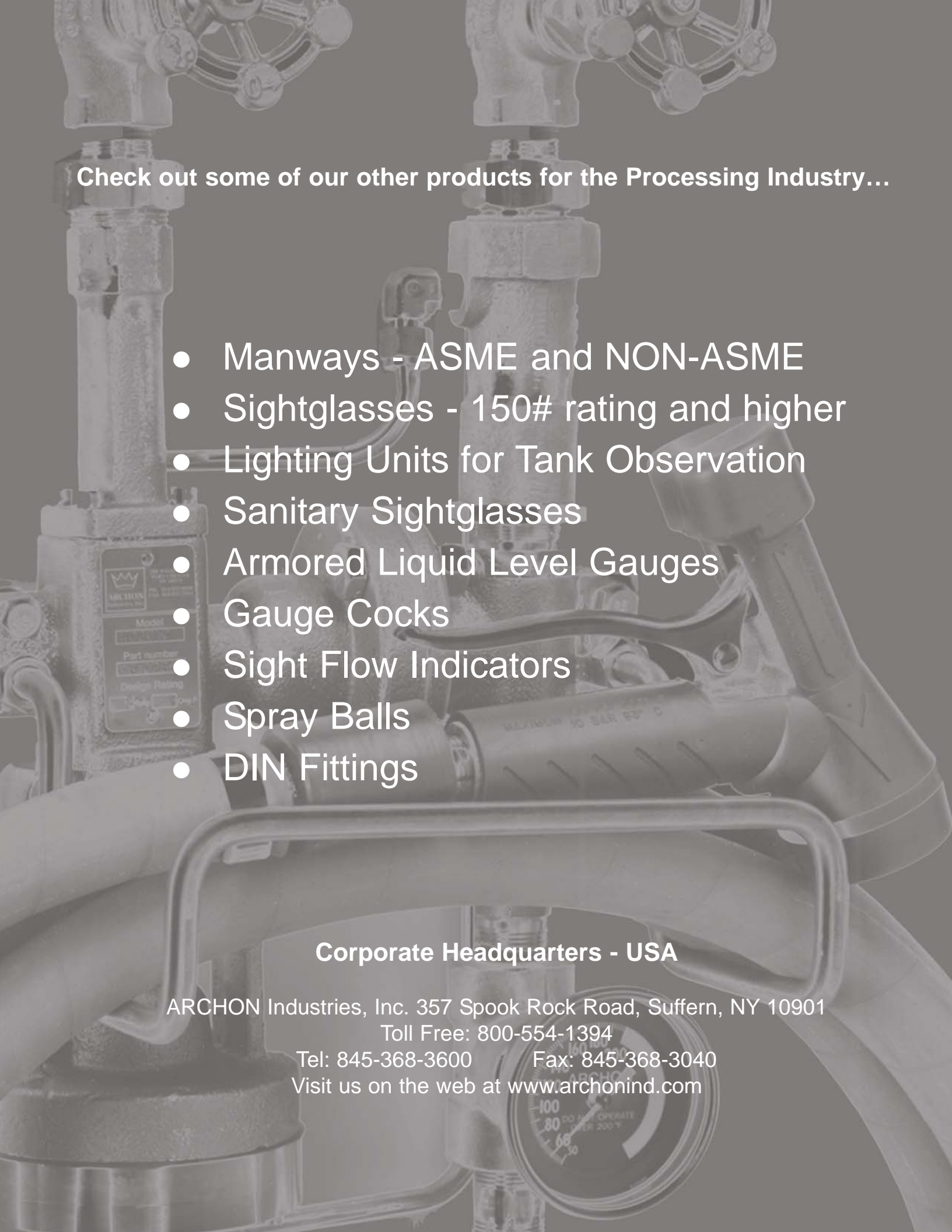
3 - Transportation charges on all returned goods are to be paid by Purchaser in all cases.

**CANCELLATION:** A purchase order or any part thereof which is accepted by the Seller may not be cancelled unless, and until the Seller has deemed what action is necessary and advisable to minimize costs resulting from cancellation. Orders for non-customized goods that have already been shipped are subject to a 20% handling and restocking charge.

**TERMS OF PAYMENT:** U.S. terms of payment are net 30 upon credit approval. The Seller reserves the right to defer shipment until receipt of cash, if, in the Seller's judgment, the Purchaser's financial condition becomes unsatisfactory. A service charge of 1.5% per month will be charged on all accounts that exceed 60 days from the date of invoice. The Seller reserves the right to alter the payment terms.

**PARTIAL INVALIDITY:** If any provision of the Agreement is or becomes unenforceable or invalid at any time under law, rule or regulation, no other provisions of this Agreement shall be affected thereby and remaining provisions of this Agreement shall continue in force as if such enforceable or invalid provision did exist.

**GOVERNING LAW:** This Agreement shall be governed in all respects by the laws of New York.



Check out some of our other products for the Processing Industry...

- Manways - ASME and NON-ASME
- Sightglasses - 150# rating and higher
- Lighting Units for Tank Observation
- Sanitary Sightglasses
- Armored Liquid Level Gauges
- Gauge Cocks
- Sight Flow Indicators
- Spray Balls
- DIN Fittings

**Corporate Headquarters - USA**

ARCHON Industries, Inc. 357 Spook Rock Road, Suffern, NY 10901

Toll Free: 800-554-1394

Tel: 845-368-3600

Fax: 845-368-3040

Visit us on the web at [www.archonind.com](http://www.archonind.com)